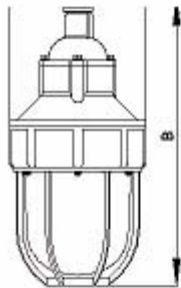


## Explosion Proof Lighting SSTR-EP56



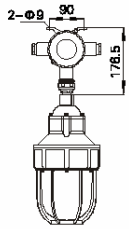
Explosion-Proof Illumination Lamp



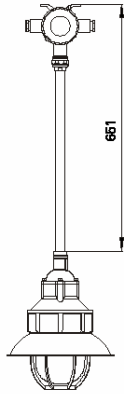
A	B	Applicable light
194	455	N250、N150、 J250、J175、 G250、G175 Z250、B300、 Q105、Q85、 Q65、Q45 QL85、QL55
173	367	N100、N70、 J150、J100、 J70、G125、 G80、Z160、 Z125、B200、 B150、B100、 Q36、Q32、 Q28

Hazardous area	Explosive gas atmosphere or combustible dust atmosphere or simultaneously Zone1, Zone2, Zone20, Zone21, Zone22
Group of gas or vapour	II A、II B、II C
Temperature class	T1 ~ T4
Application	Indoor, outdoor
Enclosure	Die-casted with aluminum alloy without copper, shot blasting, electrostatic polyester-sprayed
Exposed fastener	High quality stainless steel
Display	Impact-resistant and hermetically stable toughened glass
Component	Lamp holder typed E40&E27
Structure	Sealing gasket made of acid-resistant silicon rubber
Reflector	High purity aluminum, high reflectivity
Installation	Ceiling mounting, pole mounting, wall mounting, platform mounting, road lamp mounting
Conformity	GB 3836.1、GB 3836.2、GB12476.1、IEC 60079-0、IEC 60079-1、IEC61241-1-1
Ex-marking	Ex d II C T4/DIP A20 T4, T4
Degree of protection	IP66
Rated voltage	AC220V/AC230V
Light source power	28W-300W
Corrosion-proof	F2
Thread of Inlet	G3/4
Cable diameter	Φ7 ~ Φ14
Lamp	High pressure sodium vapour lamp、halogen metal vapour lamp、high pressure mercury vapour lamp、self-ballasted mercury vapor lamp、incandescent lamp、energy-saving lamp
Weight	3.3kg、4.7kg

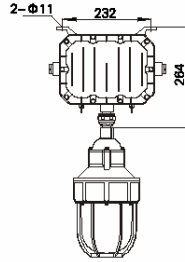
Outline dimensions



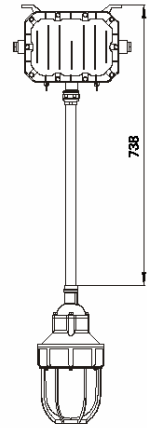
(DX)  
ceiling mounting



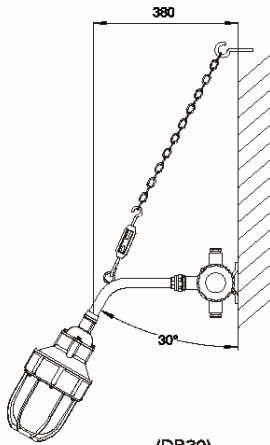
(DG)  
pole mounting



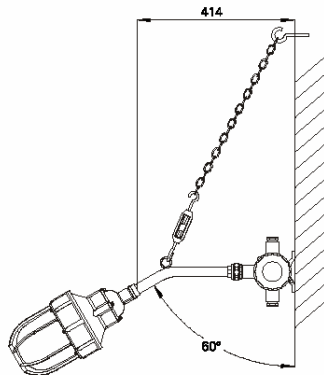
(ZX)  
ceiling mounting



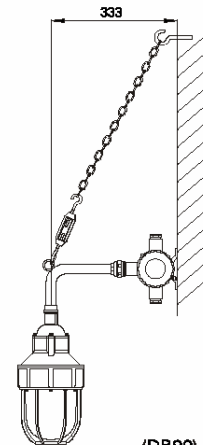
(ZG)  
pole mounting



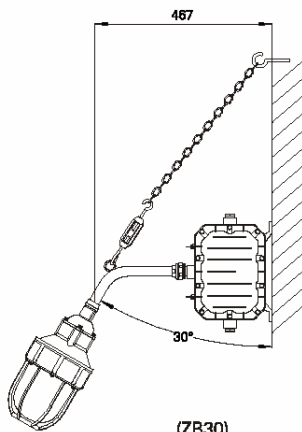
(DB30)  
wall mounting 30°



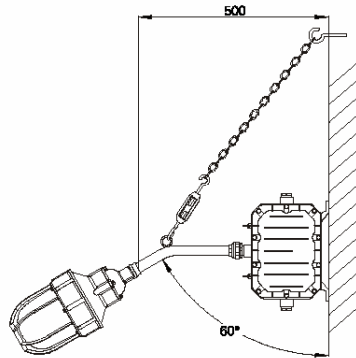
(DB60)  
wall mounting 60°



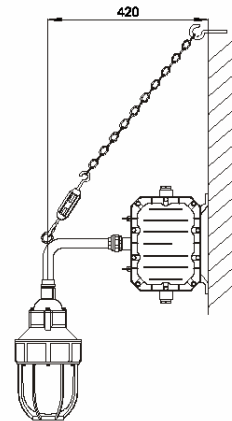
(DB90)  
wall mounting 90°



(ZB30)  
wall mounting 30°



(ZB60)  
wall mounting 60°



(ZB90)  
wall mounting 90°