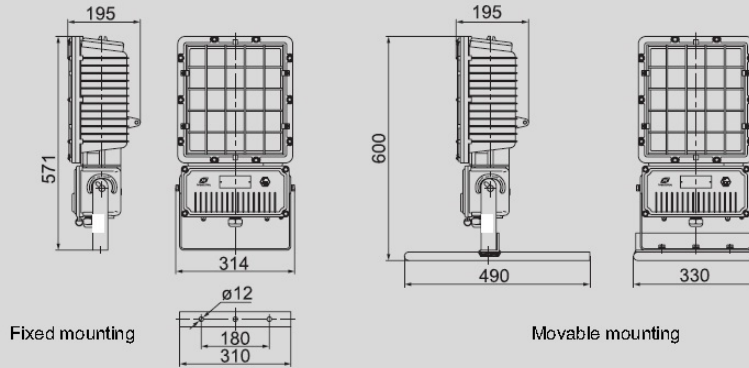


Explosion Proof Street Light and Flood Light

Dimension drawings (all dimensions in mm)-subject to alteration



SSTR-EP53

Technical Data

Explosion-proof floodlights

SSTR-EP53

Explosion protection

- Gas explosion protection
- Dust explosion protection

Ex II 2G Exde II BT3
Ex tD A21 IP65 T200°C

Certificates

- For gas explosion protection
- For dust explosion protection

LCIE 05 ATEX 6143; IECEx CQM 07.0004;
PCEC

Conformity to standards

EN 60079-0:2004; EN 60079-1:2004; EN 60079-7:2003;
IEC 60079-0:2004; IEC 60079-1:2003; IEC 60079-7:2001
IEC 61241-0:2004 ; IEC 61241-1:2004

Material

- Housing
- Wire guard
- Reflector

Aluminum alloy, powder-coated, yellow;
Metal of zinc-powder, white
Pure aluminum

Rated voltage

AC 220V 50Hz (198V~242V)

Earthing protection

M5 (earthing bolt inside and outside the light fittings)

Degree of protection

IP65

Ambient temperature

-20°C ~ +55°C

Connection

Terminals 3 x 1.5~2.5mm² (L+N+PE)

Hub

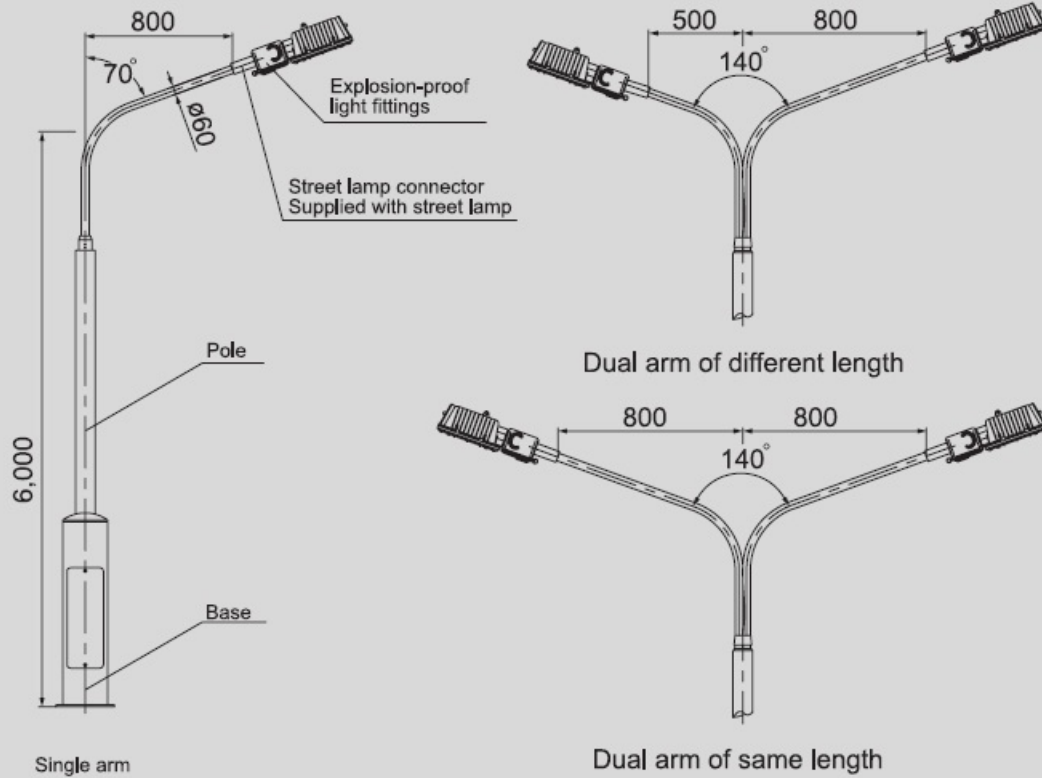
2-Ø26

Cable gland

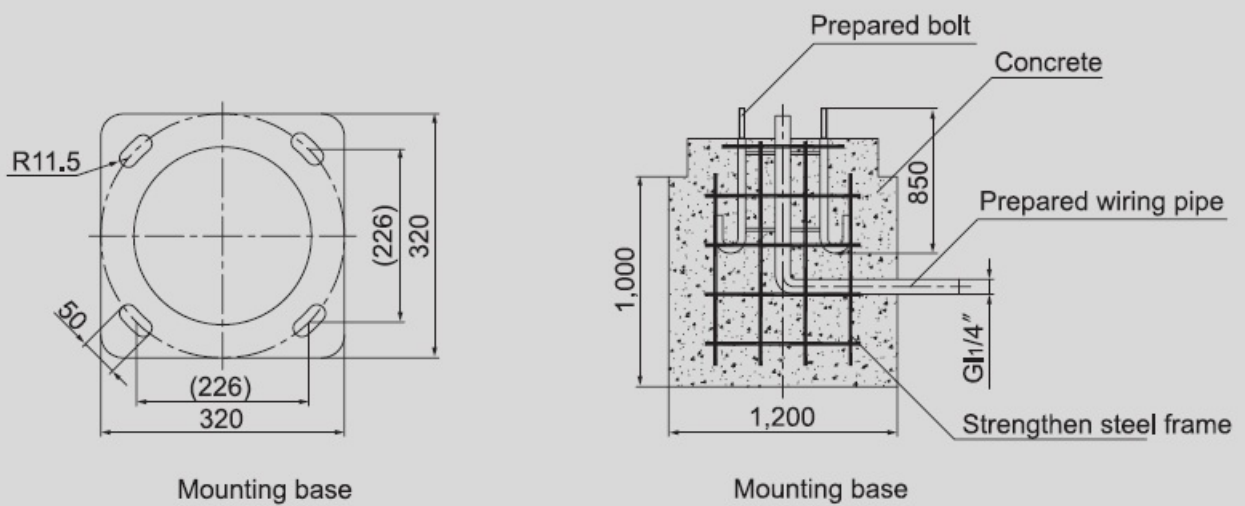
With cable gland DQM-I M25 x 1.5 (carbonate steel), and seal stopping plug on the other entry.

Available cable outer diameter

Ø10~Ø14 (mm)



Note: Lamp diameter $\phi 60$ for light fittings connection.



www.sophilcor.com
sophilco@gmail.com

©DTI Solar Star Mktg©. All rights reserved.
 +63 9192099301, +63 9225063767, +63 32 2593182